

Solenoid operated valves pilot operated poppet type  
2-way normally open  
Special cavity, 021-E

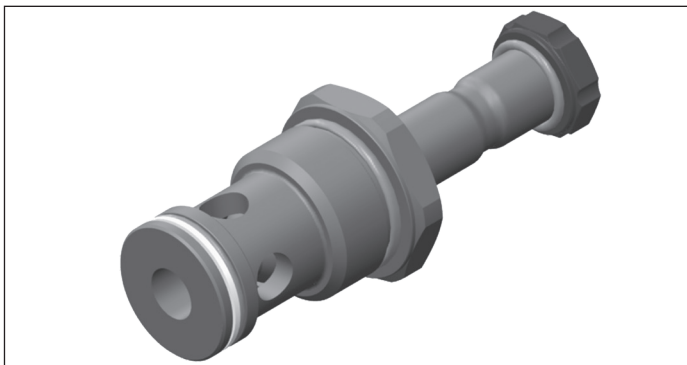
VEI-16-021-NA

OD.15 - X - 21 - Y - Z - 00

**RE 18323-38**

Edition: 03.2021

Replaces: 02.2020



**Technical data**

New VEI-16 family incorporates a new solenoid concept providing excellent performance and enables cartridges to work in severe environment. Cartridges also incorporates advanced design of hydraulic parts providing excellent hydraulic performance.

**Technical data**

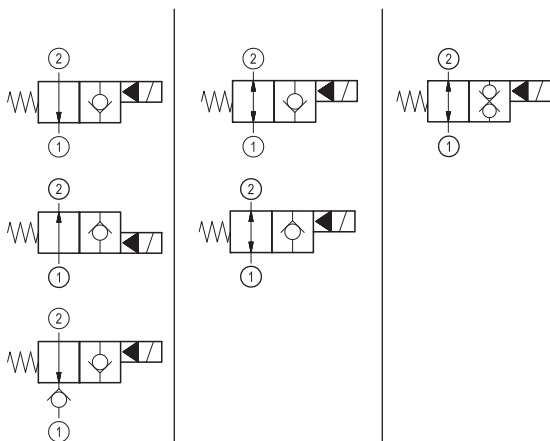
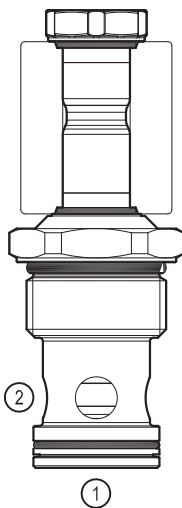
General		
Weight		0.35 kg (0.77 lbs)
Installation orientation		Unrestricted
Storage ambient temperature range		-40 to 100 °C (-40 to 212 °F)
Operating ambient temperature range		-30 to 90 °C (-22 to 194 °F)
Hydraulic		
Max. operating pressure		350 bar (5000 psi)
Flow range		5 - 150 l/min (1 - 40 gpm)
Fatigue cycle life		1 million cycles at 350 bar
Max. internal leakage:		20 drops/min.
Switching time		Closing ≤ 100 ms Opening ≤ 50 ms
Fluid temperature range		-20 to 80 °C (-4 to 176 °F)
Fluids: Mineral-based or synthetics with lubricating properties at viscosities of 20 to 380 mm <sup>2</sup> /s (cSt)		
Installation torque		130 - 150 Nm (96 - 111 ft-lbs)
Recommended degree of fluid contamination		Nominal value max. 10 µm (NAS 8) ISO 4406 19/17/14
MTTFD		150 years see RE 18350-51
Special cavity		021-E see 18325-75
Seal kit for X=02,06	code	RG21E201052010
	material no.	R934003566
Seal kit for X=04,10,12,32	code	RG21E201053010
	material no.	R934003567
Seal kit coil and standard cap	code	RG02Z0010000100
	material no.	R930067869
Seal kit coil and protective cap only for Y=B	code	RG03Z0010000100
	material no.	R930067870
Seal kit coil and protective cap only for Y=C	code	RG04Z0010000100
	material no.	R930069171
Other technical data		See data sheet 18350-50

**Electrical**

Type of voltage	DC voltage
Coil type	D36
Supply voltage	See data sheet 18325-90
Voltage tolerance against ambient temperature	See characteristic curve
Power consumption	20 W
Type of protection	See data sheet 18325-90

Note: Coils must be ordered separately

**PATENT PENDING**



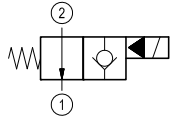
**Ordering code**

<b>OD.15</b>	<b>X</b>	<b>21</b>	<b>Y</b>	<b>Z</b>	<b>0000</b>	<b>*</b>
--------------	----------	-----------	----------	----------	-------------	----------

Solenoid operated valves  
pilot operated poppet type  
2-way normally open

Series O/A to L  
unchanged performances and dimensions

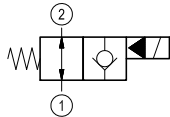
monodirectional type



**02**

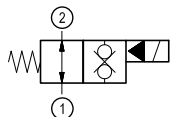
O = With buna seal  
V = With Viton seal  
P = With buna seal and protective cap for override version **B** and **C**  
T = With Viton seal and protective cap for override version **B** and **C**

bidirectional type



**06**

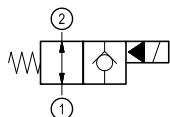
bidirectional type



**32**

A = Standard  
B = Push style manual override  
C = Push and twist style manual override

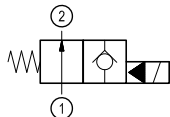
bidirectional type



**04**

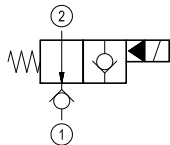
Special cavity: 021-E

monodirectional type



**10**

monodirectional type



**12**

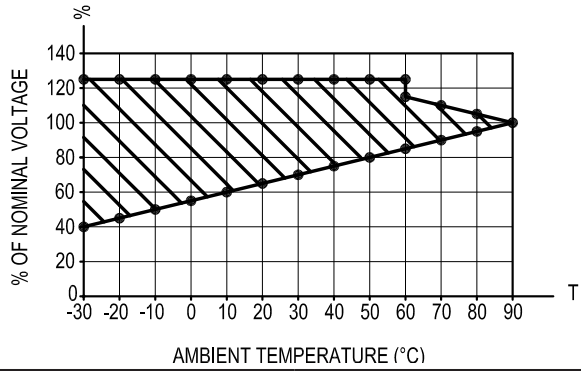
**Preferred types**

Type	Material number
OD150221A000000	R930063874
OD150621A000000	R930066964
OD150621C000000	R930066969
OD153221A000000	R930067155
OD153221C000000	R930069397
OD153221CP00000	R930068527
OD150621B000000	R930068776
OD150421A000000	R930066970
OD150421C000000	R930069396
OD151021A000000	R930070834
OD151221A000000	R930065611

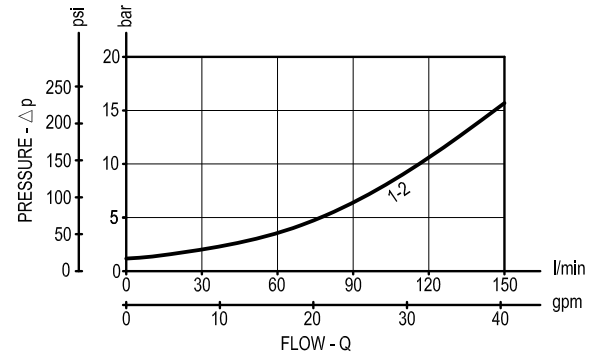
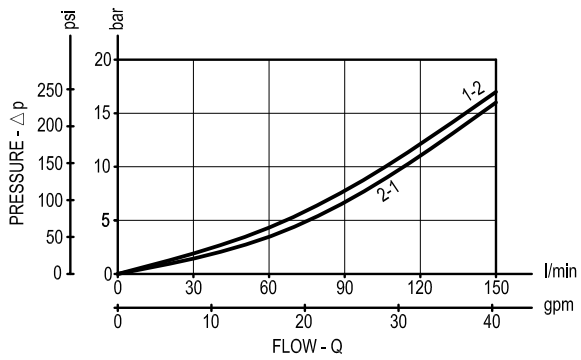
Type	Material number

Characteristic curves

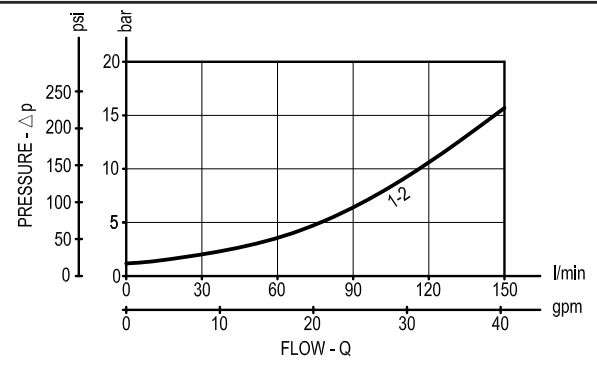
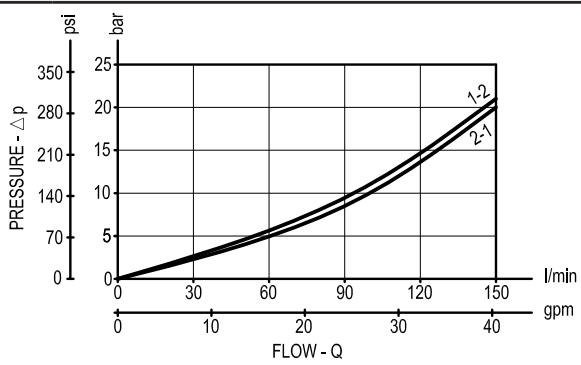
All Versions - Admissible supply voltage Vs. Ambient temperature at 100% duty cycle



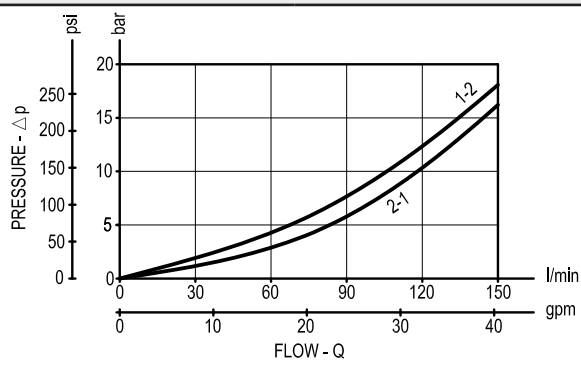
Versions 02, 06 | Version 10

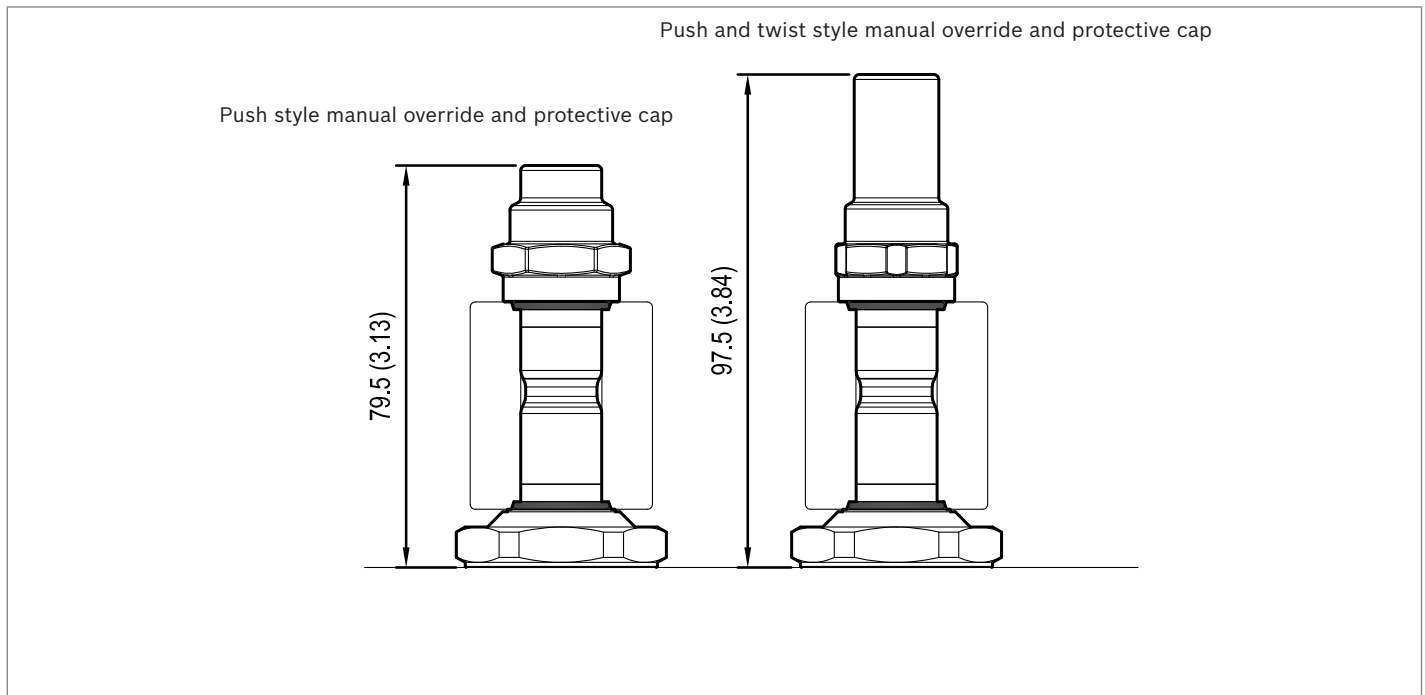
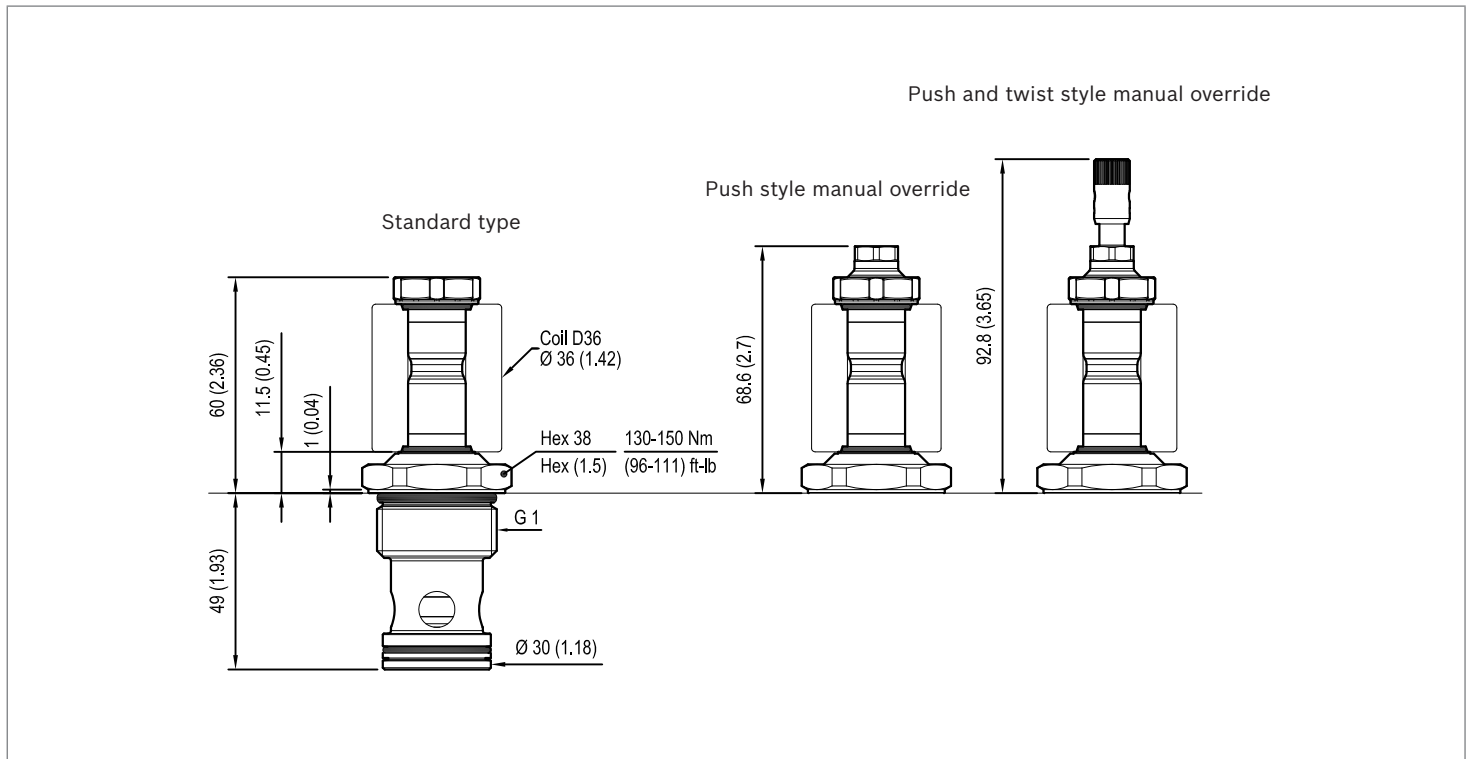


Version 32 | Version 12



Version 04



**Dimensions****Solenoid operated valves, poppet 2-way normally open****Bosch Rexroth Oil Control S.p.A.**

Via Leonardo da Vinci 5  
P.O. Box no. 5  
41015 Nonantola – Modena, Italy  
Tel. +39 059 887 611  
Fax +39 059 547 848  
compact-hydraulics-cv@boschrexroth.com  
www.boschrexroth.com/compacthydraulics

© This document, as well as the data, specifications and other information set forth in it, are the exclusive property of Bosch Rexroth Oil Control S.p.a.. It may not be reproduced or given to third parties without its consent. The data specified above only serve to describe the product. No statements concerning a certain condition or suitability for a certain application can be derived from our information. The information given does not release the user from the obligation of own judgment and verification. It must be remembered that our products are subject to a natural process of wear and aging. Subject to change.