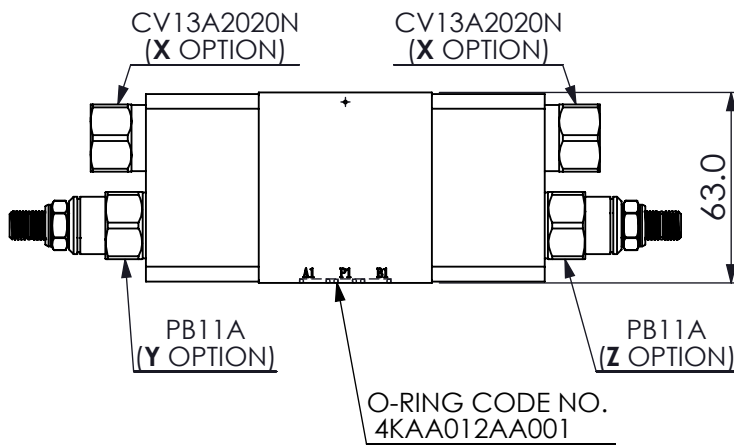
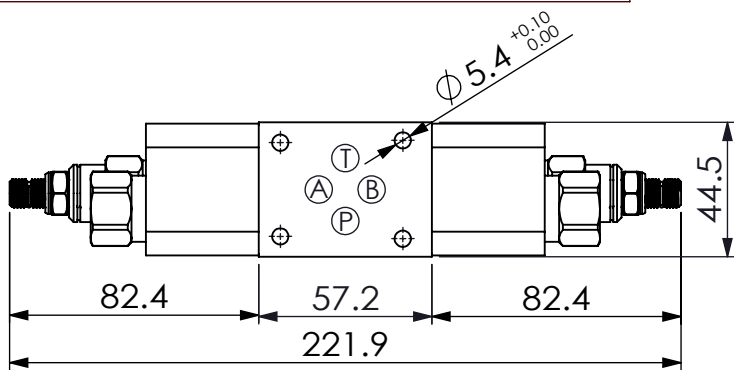
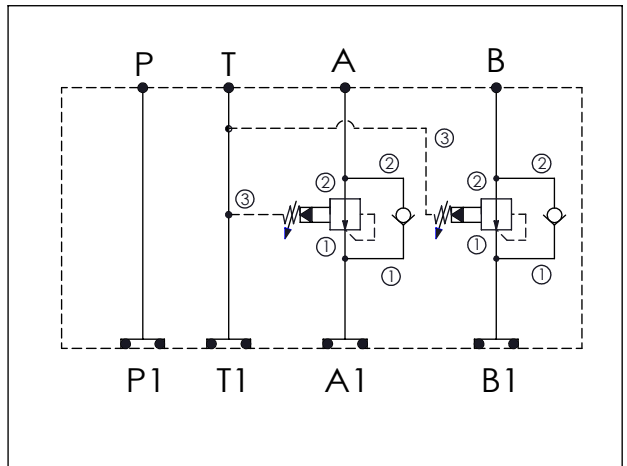


ISO 03 SANDWICH MANIFOLD

Ordering Code:	MH03PDC-X-Y-Z-A03
	MH03PDC-X-Y-Z-S03
Stack Height :	63.0mm



UNIT:mm



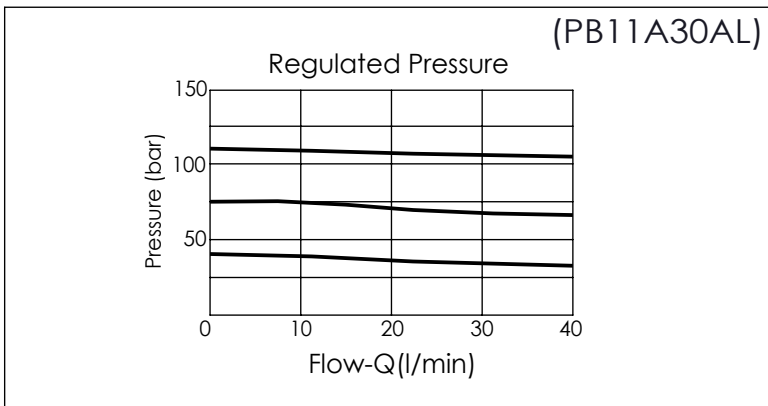
TECHNICAL DATA	
Aluminum (A03)	Body Pressure Rating: 210 bar
Ductile Iron (S03)	Body Pressure Rating: 350 bar
	Rated flow: 40 l/min

Cartridge Valve:
Refer to CV13A2020N
PB11A-X-Y-Z

* Refer to Winner Cartridge Valves Catalog.

Aluminum	0.76 kg(WITHOUT VALVES) 1.28 kg(INCLUDE VALVES)
Ductile Iron	2.21 kg(WITHOUT VALVES) 2.73 kg(INCLUDE VALVES)

* If you need the special specification. Please contact us.



X	SELECTION FOR CHECK VALVE
CV2020	CV13A2020N (80LPM,2.0bar) x2 PCS (STANDARD)
13A2	CAVITY ONLY(WITHOUT VALVE)
Please refer to the list price of cartridge program.	

Y	SELECTION FOR A PORT CONTROL
11A3	CAVITY ONLY(WITHOUT VALVE)
PB0A	PB11A30AL (40LPM , 7-210bar) x1 PC

Please refer to the list price of cartridge program.

Z	SELECTION FOR B PORT CONTROL
11A3	CAVITY ONLY(WITHOUT VALVE)
PB0A	PB11A30AL(40LPM , 7-210bar) x1 PC

Please refer to the list price of cartridge program.