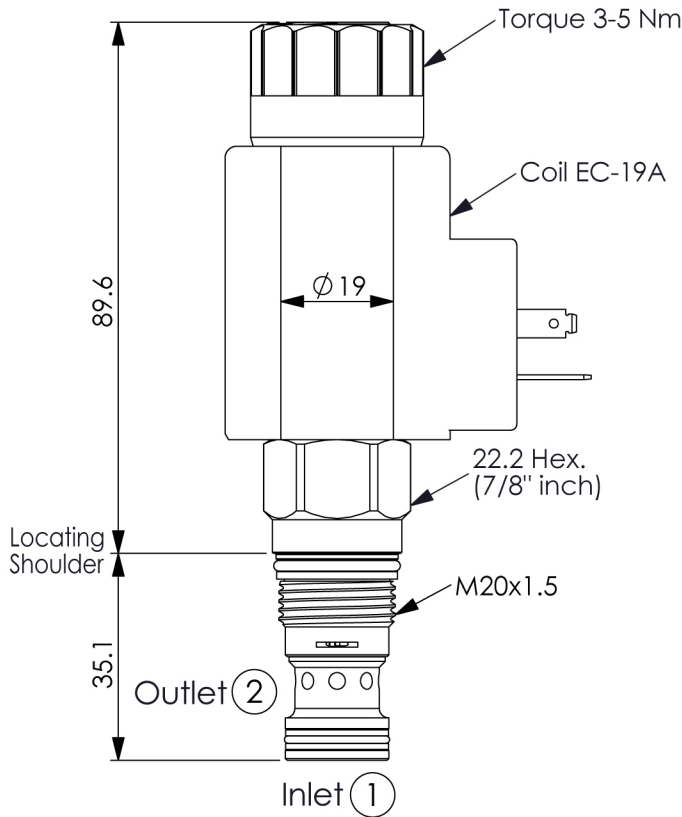


Proportional-Drosselventil

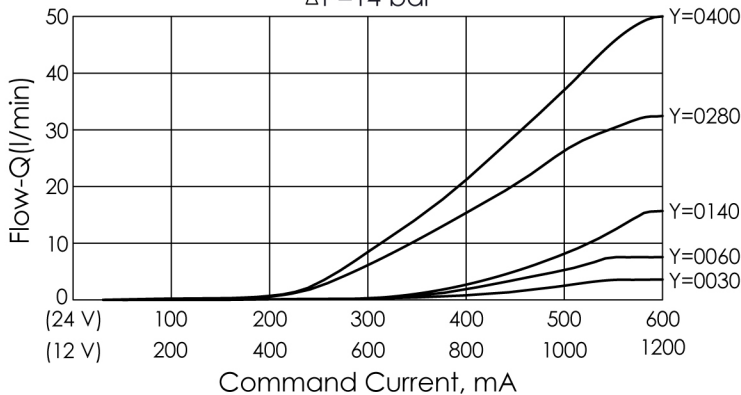
(Electro-Proportional Flow Control Valve, Normally Closed Throttle)

Ordering Code: **PFC-13A-X-Y-Z**

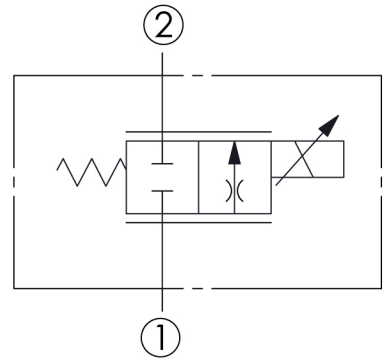


UNIT:mm

Typical Metering Performance (①→②)
ΔP=14 bar



If you need more information
Please contact our sales department



TECHNICAL DATA

Max. Operating pressure: 350 bar

Rated flow: 40 l/min

Cavity-Tooling: 13A-2

Installation torque: 40-50 Nm

Linearity (with dither) <2%

Repeatibility (with dither) <2%

Hysteresis (with dither) <4%

Hysteresis with DC input <8%

Deadband, nominal (as a percentage of input) 25%

Weight:(with Coil) 0.53 kg
(without Coil) 0.28 kg

X OPERATION

2D 2 Ports · 22 Watt. Coil
Ø 19 mm tube

Z OPTIONS

N Non-adjustable

M Manual Override

P Push Style Manual Override

Y	FLOW	
	NOMINAL CAPACITY	
0030	0.4~3 LPM	
0060	0.4~6 LPM	
0140	0.6~14 LPM	
0280	0.8~28 LPM (Standard)	
0400	1~40 LPM	