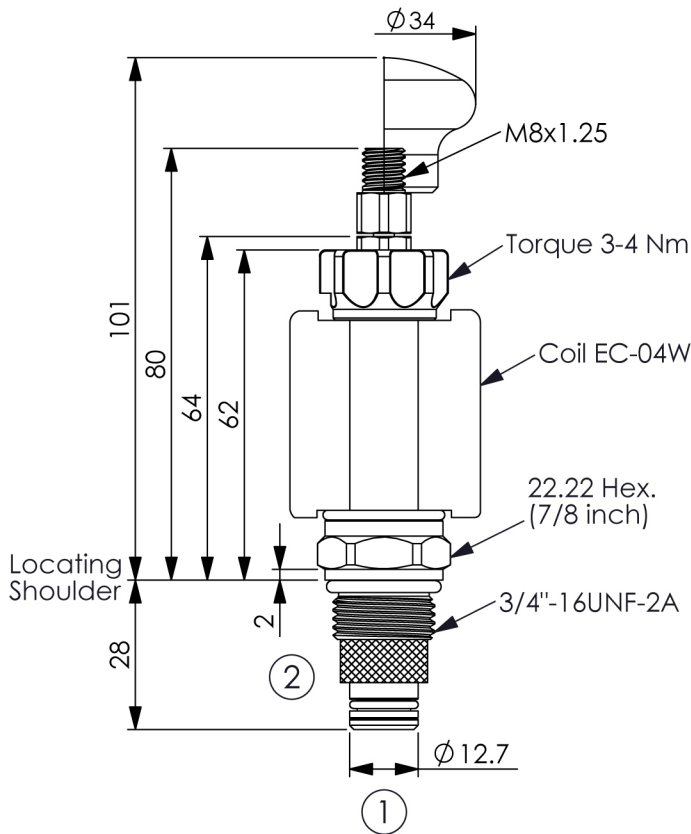


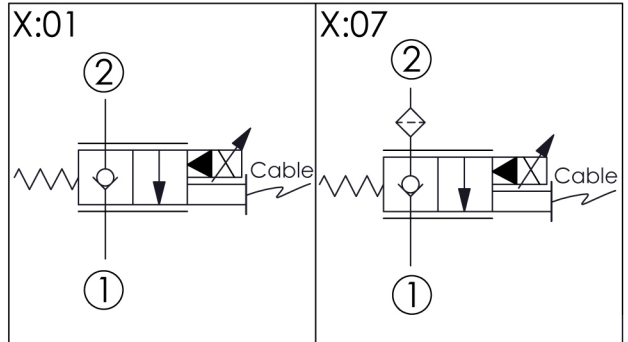
Proportional-Drosselventil

(Electro-Proportional, Normally Closed With Cable)

Ordering Code: **PEP-08W-2A-X-Y-Z**



UNIT:mm



TECHNICAL DATA

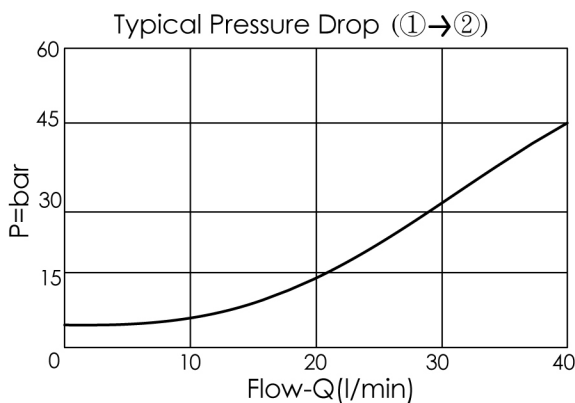
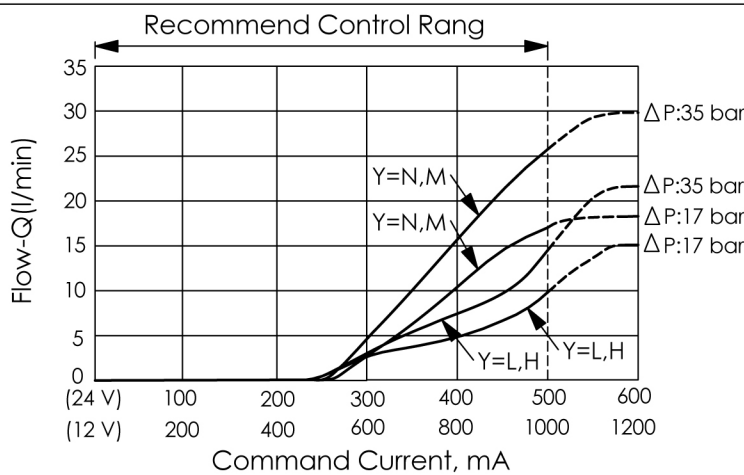
Max.Operating pressure:	250	bar
Rated flow:	22	l/min
Cavity-Tooling:	08W-2	
Installation torque:	25-35	Nm
Weight:(with Coil)	0.37	kg
(without Coil)	0.15	kg

Coils must be ordered separately

Internal Leakage: 0.15 cc/minute
(5 drops/minute) max. at 250 bar

Contionous Duty Coils:Current(A)

Voltage(V)	Cold Coil	Hot Coil
12	1.66	1.06
24	0.88	0.53



X	STRUCTURE	
01	Normally-Closed No Reverse Flow Energized	
07	Normally-Closed With Filter No Reverse Flow Energized	

Y	OPTIONS	
N	Non-adjustable	
M	Manual Override	
L	Pull Style (Cable Operated)	
H	Pull Style (Hand Operated)	

Z	FLOW	
	NOMINAL CAPACITY	
0220	0 - 22 LPM	