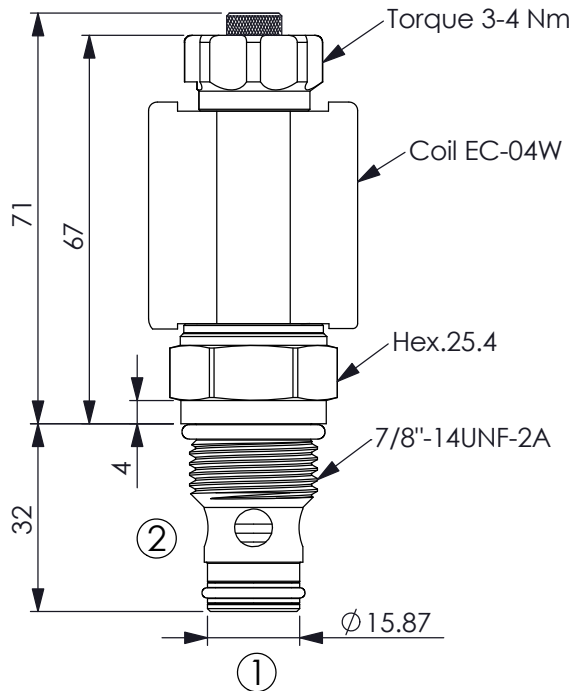
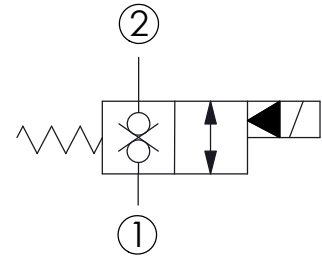
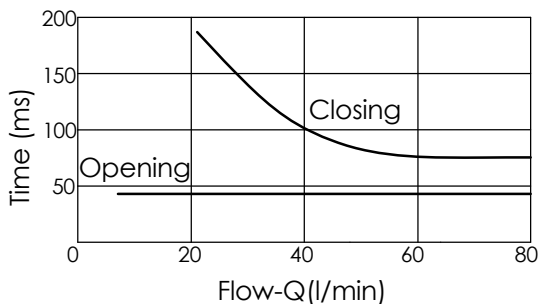
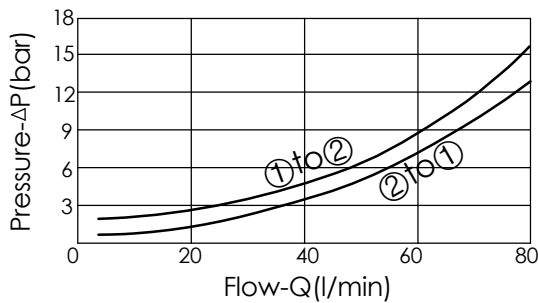


Ordering Code: **EP-10W-X-Y-Z-05**



UNIT:mm



### TECHNICAL DATA

Max.Operating pressure: 350 bar

Rated flow: 70 l/min

Cavity-Tooling: 10W-2

Installation torque: 44-56 Nm

Weight: 0.16 kg

Fluids-Temperatures: -40~120 °C

Internal Leakage: 0.15cc/minute  
(3 drops/minute) max.at 350 bar

Filtration: 25 μm nominal or better

Minimum Voltage Required:  
90 % of nominal

Coils must be ordered separately

Mounting Position: unrestricted

X	STRUCTURE
2A	2 Ports \ 20 Watt. Coil

### Y OPERATION

31	Normally-Closed Double Lock
----	-----------------------------

### Z OPTIONS

N	Non-adjustable	
M	Screw-out Knob Style	