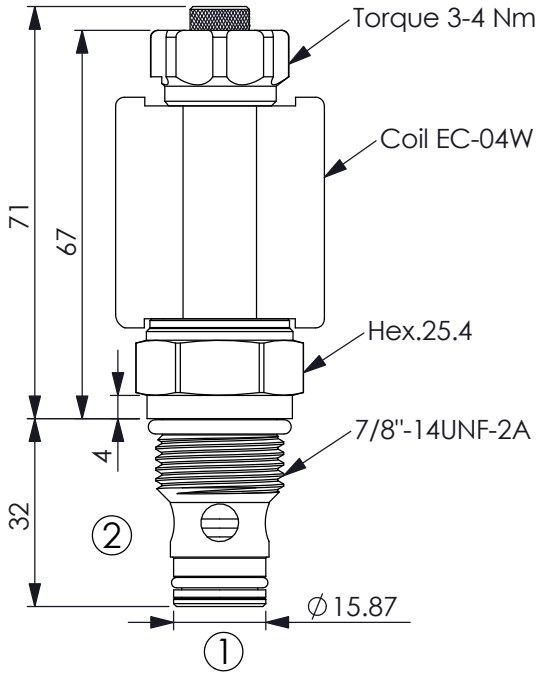
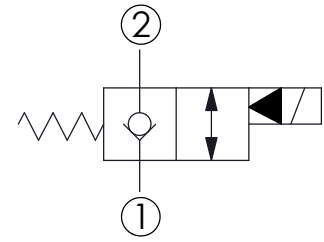
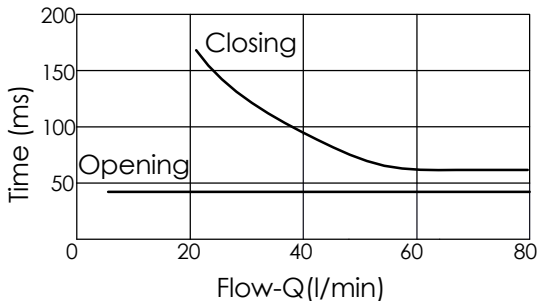
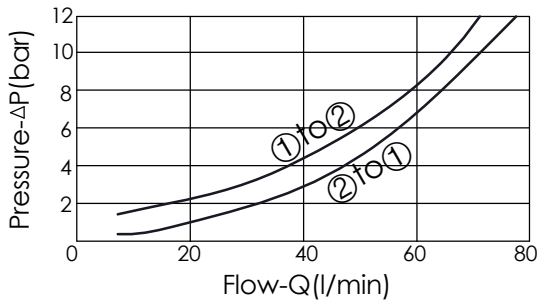


## SOLENOID OPERATED VALVES (Poppet 2-Way Normally-Closed Cartridge Style)

Ordering Code: **EP-10W-X-Y-Z-05**



UNIT:mm



### TECHNICAL DATA

Max.Operating pressure: 350 bar

Rated flow: 70 l/min

Cavity-Tooling: 10W-2

Installation torque: 44-56 Nm

Weight: 0.16 kg

Fluids-Temperatures: -40~120 °C

Internal Leakage: 0.15cc/minute  
(3 drops/minute) max.at 350 bar

Filtration: 25 µm nominal or better

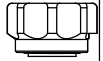
Minimum Voltage Required:  
90 % of nominal

Coils must be ordered separately

Mounting Position: unrestricted

X	STRUCTURE
2A	2 Ports - 20 Watt. Coil

Y	OPERATION
05	Normally-Closed Reverse Flow Energized

Z	OPTIONS
N	Non-adjustable 
M	Screw-out Knob Style 