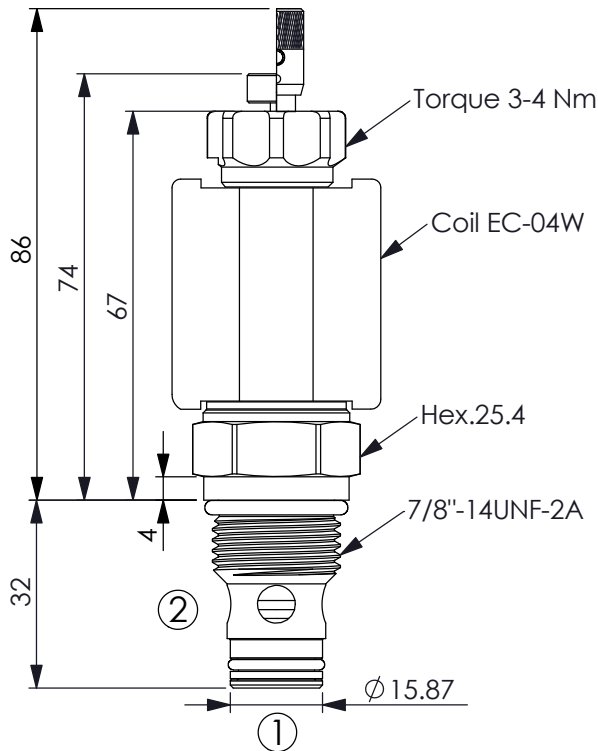
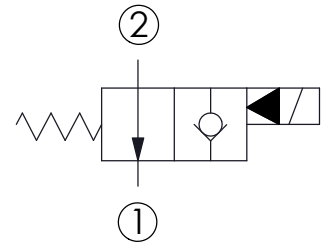


Ordering Code: **EP-10W-X-Y-Z-05**



UNIT:mm



TECHNICAL DATA

Max.Operating pressure: 350 bar

Rated flow: 70 l/min

Cavity-Tooling: 10W-2

Installation torque: 44-56 Nm

Weight: 0.16 kg

Fluids-Temperatures: -40~120 °C

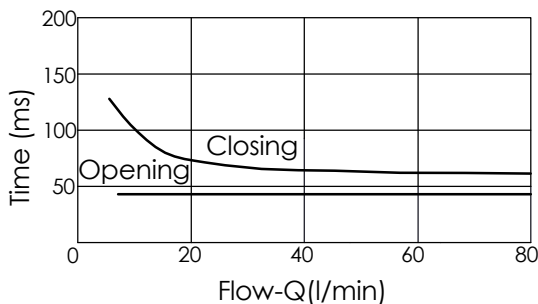
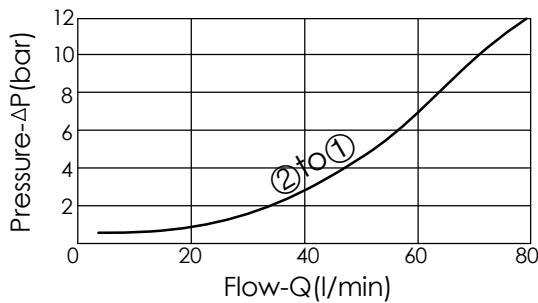
Internal Leakage: 0.15cc/minute
(3 drops/minute) max.at 350 bar

Filtration: 25 µm nominal or better

Minimum Voltage Required:
90 % of nominal

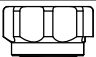
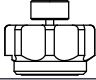
Coils must be ordered separately

Mounting Position: unrestricted



X	STRUCTURE
2A	2 Ports - 20 Watt. Coil

Y	OPERATION
02	Normally-Open No Reverse Flow De-energized

Z	OPTIONS
N	Non-adjustable 
P	Push Style Manual Override 
T	Push and Twist Style Manual Override 