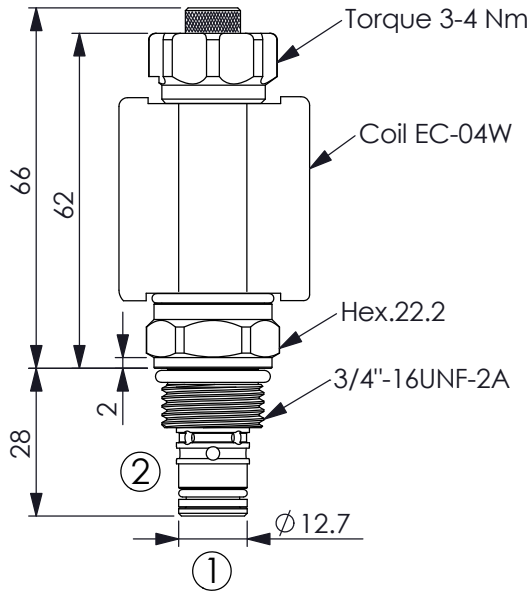
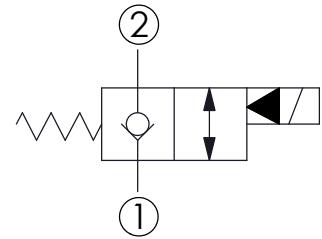


SOLENOID OPERATED VALVES (Poppet 2-Way Normally-Closed Cartridge Style)

Ordering Code: **EP-08W-X-Y-Z-04**



UNIT:mm



TECHNICAL DATA

Max.Operating pressure: 350 bar

Rated flow: 30 l/min

Cavity-Tooling: 08W-2

Installation torque: 39-51 Nm

Weight: 0.13 kg

Fluids-Temperatures: -40~120 °C

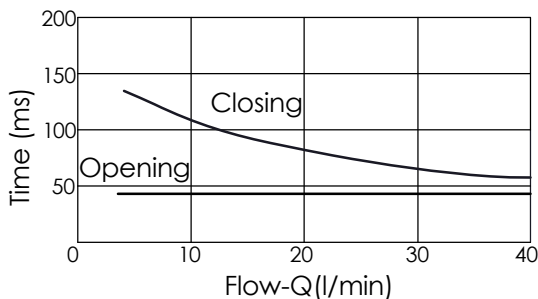
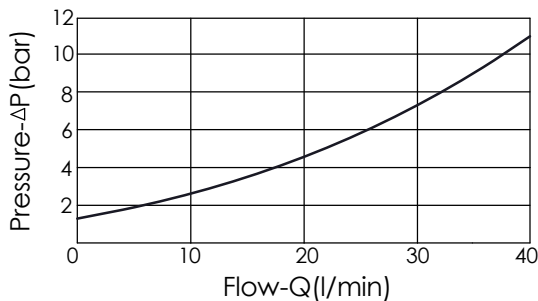
Internal Leakage: 0.15cc/minute
(3 drops/minute) max.at 350 bar

Filtration: 25 µm nominal or better

Minimum Voltage Required:
90 % of nominal

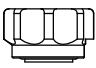
Coils must be ordered separately

Mounting Position: unrestricted



X	STRUCTURE
2A	2 Ports \ 20 Watt. Coil

Y	OPERATION
05	Normally-Closed Reverse Flow Energized

Z	OPTIONS
N	Non-adjustable 
M	Screw-out Knob Style 