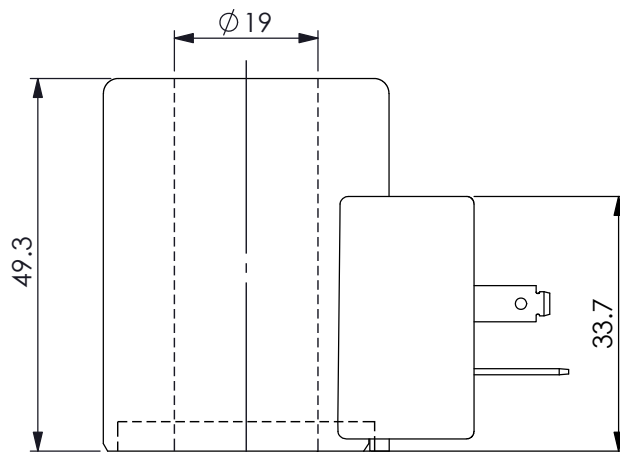
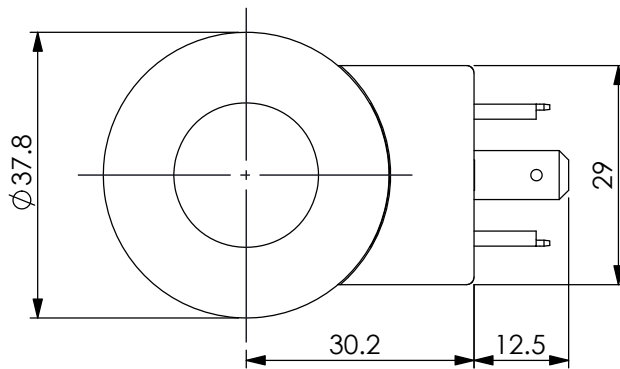
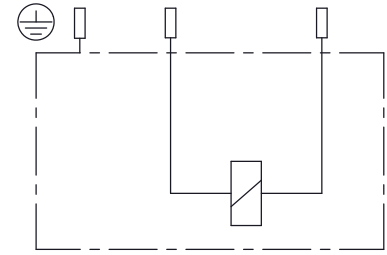


Ordering Code: **EC-19A-X-Y-Z**



While installing, please be sure that this side is toward to the solenoid cartridge valve.

UNIT:mm



TECHNICAL DATA

Weight: 0.24 kg

HEAT INSULATION CLASS H:
356°F | (180°C)

Ambient temperature range:
-22+122°F | (-30+50°C)

Available on request:
Different Voltages -
Different connectors.

Inlet voltage fluctuations must not exceed $\pm 10\%$ of nominal voltage to obtain correct operation and long life of coils.

Connector Environment Rating: IP65

X	Power (W)
220	22 Watt.

Y	Connections
H	DIN43650-ISO4400

Z	Voltage (V)	Resistance (Ω)	Maximum Current (Proportional Control)
	Nominal	20~25 °C	
E	12V DC	6.4 \pm 8 %	1150 mA
D	24V DC	26.2 \pm 5 %	590 mA