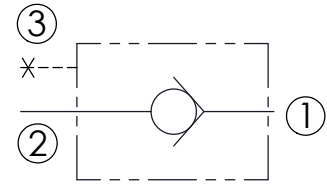
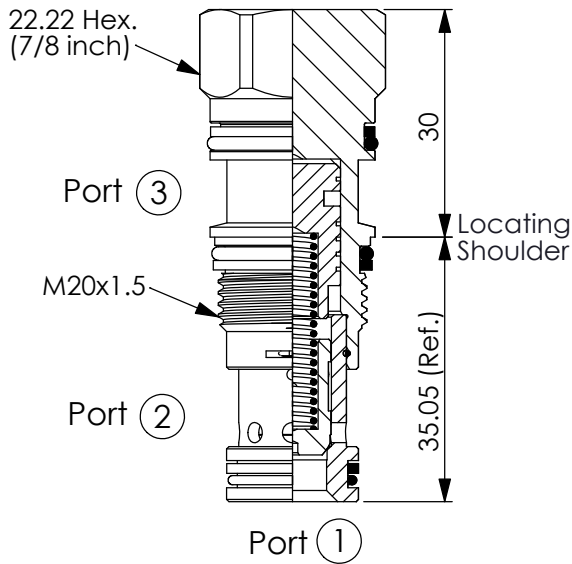


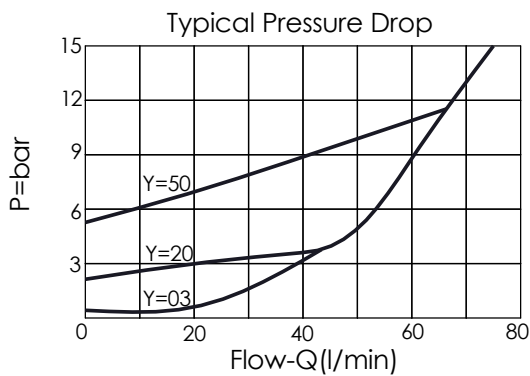
Ordering Code: **CV-11A-X-Y-Z**



TECHNICAL DATA

Max. Operating pressure:	350	bar
Rated flow:	80	l/min
Cavity-Tooling:	11A-3	
Installation torque:	40-50	Nm
Weight:	0.13	kg

UNIT:mm



X OPERATION

20 ① to ② (Free Flow)

Y

SPRINGS

Cracking pressure

03	0.3 bar
10	1.0 bar
20	2.0 bar
50	5.0 bar
70	7.0 bar

Z

OPTION

N Non-adjustable

