

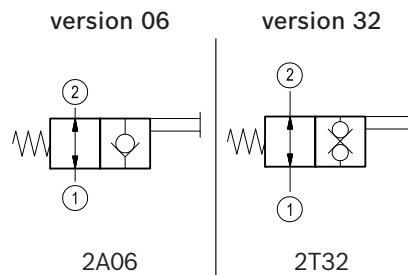
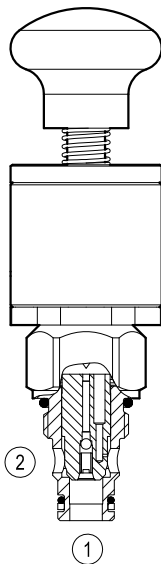
Directional control valves manual operated poppet 2-way normally open

Common cavity, Size 08



VMI-8A-2A-06-NA

OD.55 - X - 18.17.00



General

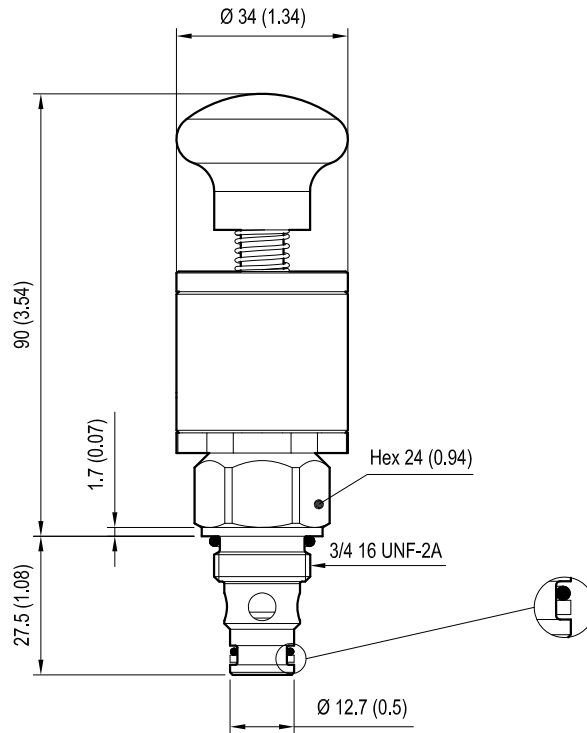
Weight	kg (lbs)	0.27 (0.6)
Installation orientation		Optional
Ambient temperature range	°C (°F)	-30 to 60 (-22 to 140)

Hydraulic

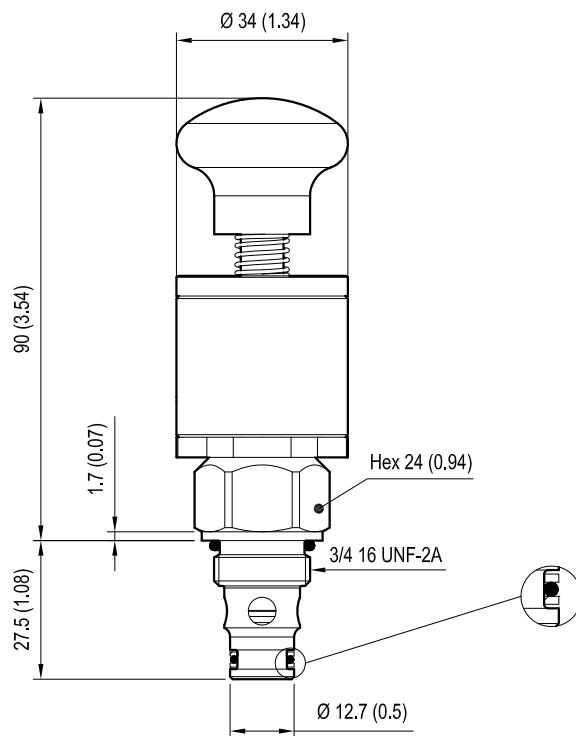
Max. operating pressure	bar (psi)	350 (5000)
Max. flow	l/min. (gpm)	40 (11)
Max. internal leakage	drops/min.	20
Fluid temperature range	°C (°F)	-20 to 80 (-4 to 176)
Fluids		Mineral-based or synthetics with lubricating properties at viscosities of 20 to 380 mm ² /s (cSt)
Installation torque	Nm (ft-lbs)	39-51 (29-38)
Recommended degree of fluid contamination		Nominal value max. 25µm (NAS 8) ISO 4406 19/17/14
Cavity		CA-08A-2N see RE 18325-70
Lines bodies and standard assemblies		Please refer to section "Hydraulic integrated circuit" or consult factory
Seal kit - version 06	code material no.	RG08A2010520100 R901101437
Seal kit - version 32	code material no.	RG08A2010530100 R901101544
Other technical data		See data sheet RE 18350-50

Dimensions

Version 06: Directional control valves manual operated poppet 2-way normally open



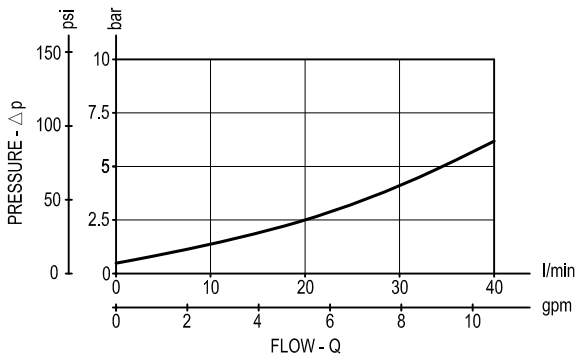
Version 32: Directional control valves manual operated poppet 2-way double lock normally open



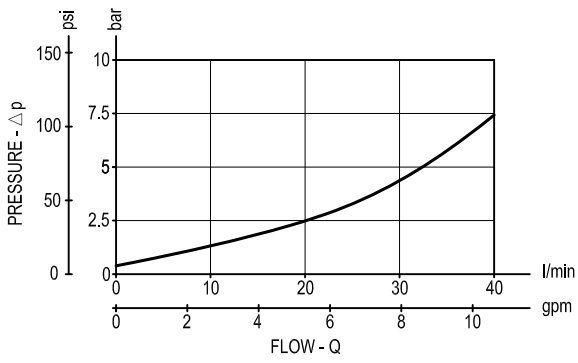
mm (Inches)

Performance graphs

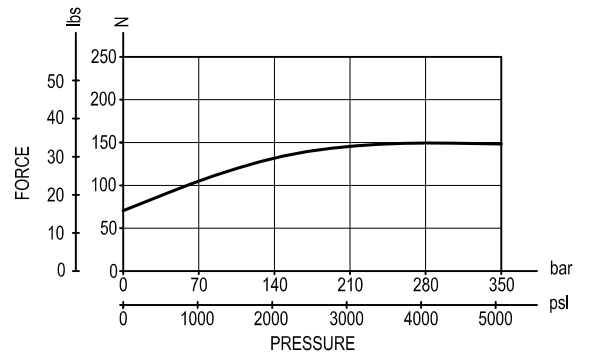
Version 06



Version 32



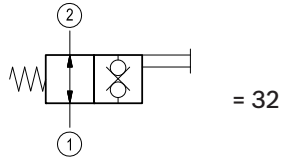
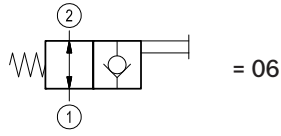
Version 06 - 32



Ordering code

OD.55	*	18	17	00
-------	---	----	----	----

Directional control valves
manual operated poppet
2-way normally open



Hand-Operated



Common cavity: CA-08A-2N

Note: hand-operated version with detent available by request; please consult factory

Type	Material number	Type	Material number
OD550618170000	R901109446		
OD553218170000	R901109447		