

Solenoid operated valves pilot operated poppet type  
 2-way normally open  
 Special cavity, 004

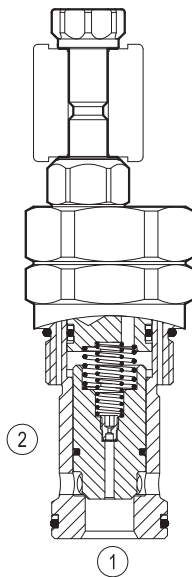
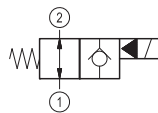
VEI-8A-2B-16-NA-NSS

OD.15.04.04 - Y - S0

**RE 18323-16**

Edition: 01.2016

Replaces: 02.2011


**▼ Version 04**

**Technical data**
**General**

Weight	1.13 kg (2.5 lbs)
Installation orientation	Optional
Ambient temperature range	-30 to 60 °C (-22 to 140 °F)

**Hydraulic**

Max. operating pressure	350 bar (5000 psi)
Max. proof pressure	420 bar (6000 psi)
Rated flow	260 l/min (69 gpm)
Fatigue cycle life	1 million cycles at 350 bar
Max. internal leakage	20 drops/min.

Fluid temperature range	-20 to 80 °C (-4 to 176 °F)
-------------------------	-----------------------------

Fluids: Mineral-based or synthetics with lubricating properties at viscosities of 20 to 380 mm<sup>2</sup>/s (cSt)

Installation torque	110 - 130 Nm (81 - 96 ft-lbs)
Recommended degree of fluid contamination	Nominal value max. 25 µm (NAS 8) ISO 4406 19/17/14
MTTFd	150 years see RE 18350-51
Special cavity	004 see 18325-75
Lines bodies and standard assemblies	Please refer to section "Hydraulic integrated circuit" or consult factory

Seal kit – version 04	code	RG0004020520100
	material no.	R930001696

Seal kit coil	code	RG12A1PNBR7010
	material no.	R934003958

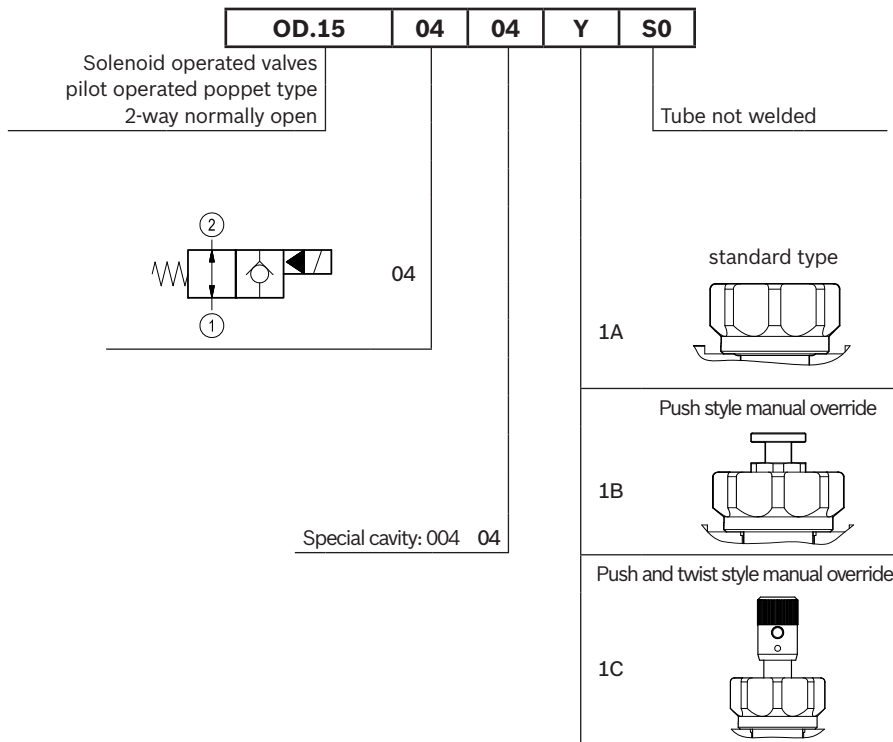
Other technical data	See data sheet 18350-50
----------------------	-------------------------

**Electrical**

Type of voltage	DC voltage
Coil type	S8-356 see 18325-90
Supply voltage	See data sheet 18325-90
Nominal voltage	± 10%
Power consumption	20 W
Duty cycle coil	See characteristic curves %
Type of protection	See data sheet 18325-90

Note: Coils must be ordered separately

Ordering code



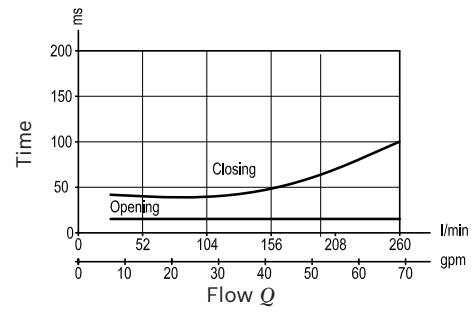
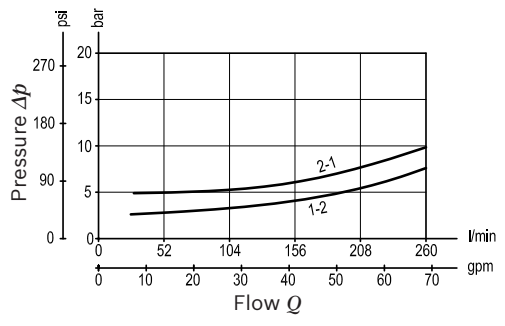
Type	Material number
OD1504041AS000	R901091118
OD1504041BS000	R901091119
OD1504041CS000	R901091120

Type	Material number

**Characteristic curves**

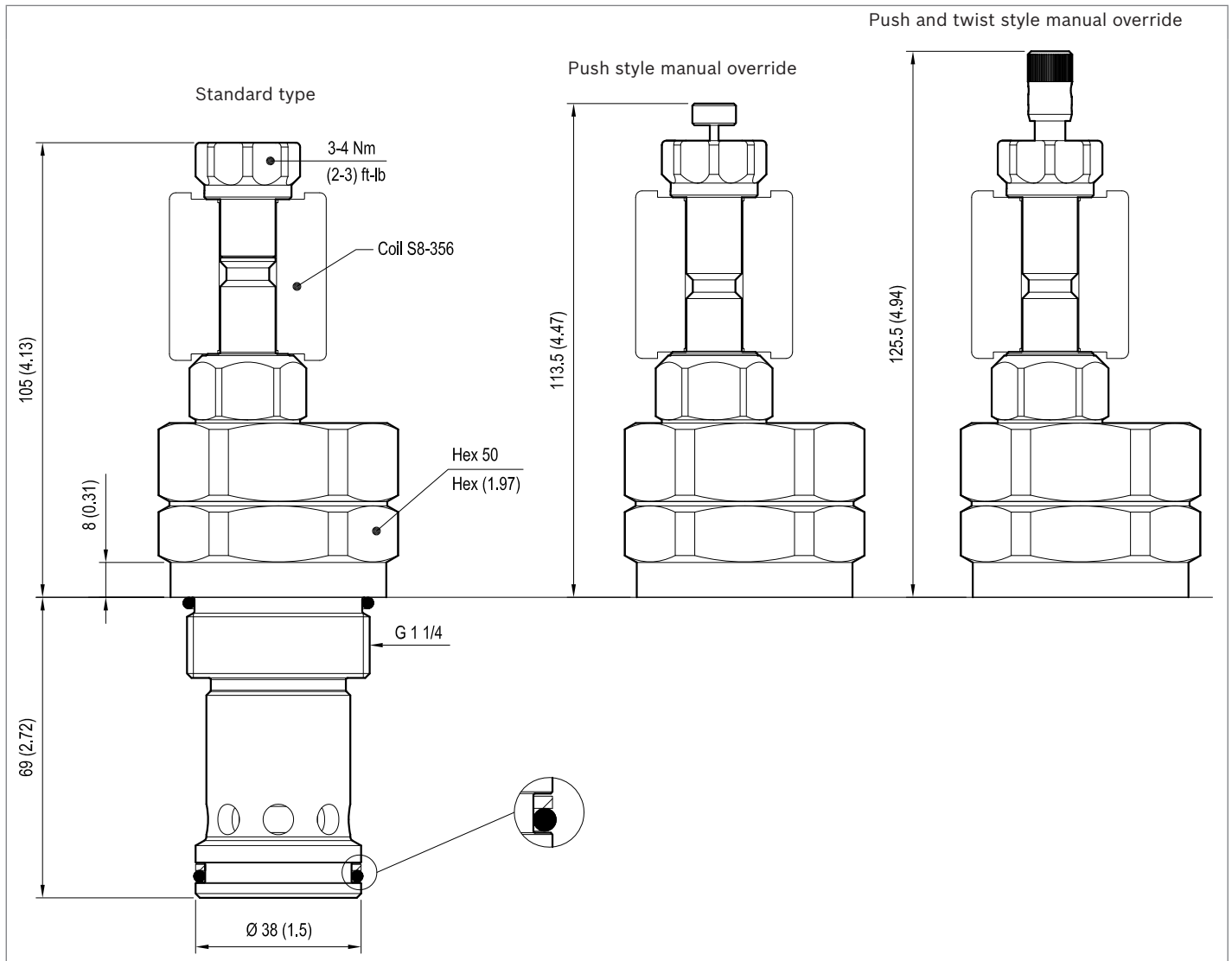
**Version 04**

Standard



## Dimensions

### ▼ Version 04: Solenoid operated valve, poppet 2-way normally open - Special cavity



#### Bosch Rexroth Oil Control S.p.A.

Via Leonardo da Vinci 5  
P.O. Box no. 5  
41015 Nonantola – Modena, Italy  
Tel. +39 059 887 611  
Fax +39 059 547 848  
compact-hydraulics-cv@boschrexroth.com  
www.boschrexroth.com/compacthydraulics

© This document, as well as the data, specifications and other information set forth in it, are the exclusive property of Bosch Rexroth Oil Control S.p.a.. It may not be reproduced or given to third parties without its consent. The data specified above only serve to describe the product. No statements concerning a certain condition or suitability for a certain application can be derived from our information. The information given does not release the user from the obligation of own judgment and verification. It must be remembered that our products are subject to a natural process of wear and aging. Subject to change.